



Master Innovation

Loving music

User manual



Master Innovation Black

**Picture with:
Clearaudio tonearm „Universal“
and clearaudio cartridge
„Goldfinger Statement“.**



Master Innovation Wood

**Picture with:
Clearaudio tonearm „TT1 MI“
and Clearaudio cartridge
„Goldfinger Statement“.**

User manual

Dear **Clearaudio** customer,

Congratulations on your purchase of the *Master Innovation* turntable, a world class turntable handmade in Germany by **Clearaudio electronic GmbH**.

The *Master Innovation's* state-of-the-art combination of a no-contact magnetic drive, frictionless Ceramic Magnetic Bearing and self-regulating, sensor-controlled Optical Speed Control guarantees incredible pitch stability and freedom from noise leading to unbelievably realistic musical reproduction.

Its resonance minimizing chassis construction comprises four layers of a complex 'sandwich' of aluminium – Panzerholz bullet-proof wood – aluminium, and includes provision for up to three tonearms, allowing for complete flexibility of tonearm and cartridge.

Please note that this instruction manual contains a brief overview to enable quick and easy setup. A fuller instruction manual will be sent out in due course.

We wish you a great deal of musical enjoyment with your new **Clearaudio Master Innovation** turntable.

Clearaudio Electronic GmbH

This section must be read before any connection is made to the mains supply.

WARNING

Do not expose your turntable to rain or humidity.

Do not handle mains leads with wet hands.

Do not place or insert anything into the equipment or through the ventilation holes.

No naked flame sources, such as lighted candles, should be placed on the equipment.

CE-MARKING



The **Clearaudio Master Innovation** meets the regulations concerning electromagnetic disturbance (EMC) and low-voltage appliances.

EQUIPMENT MAINS POWER SETTING

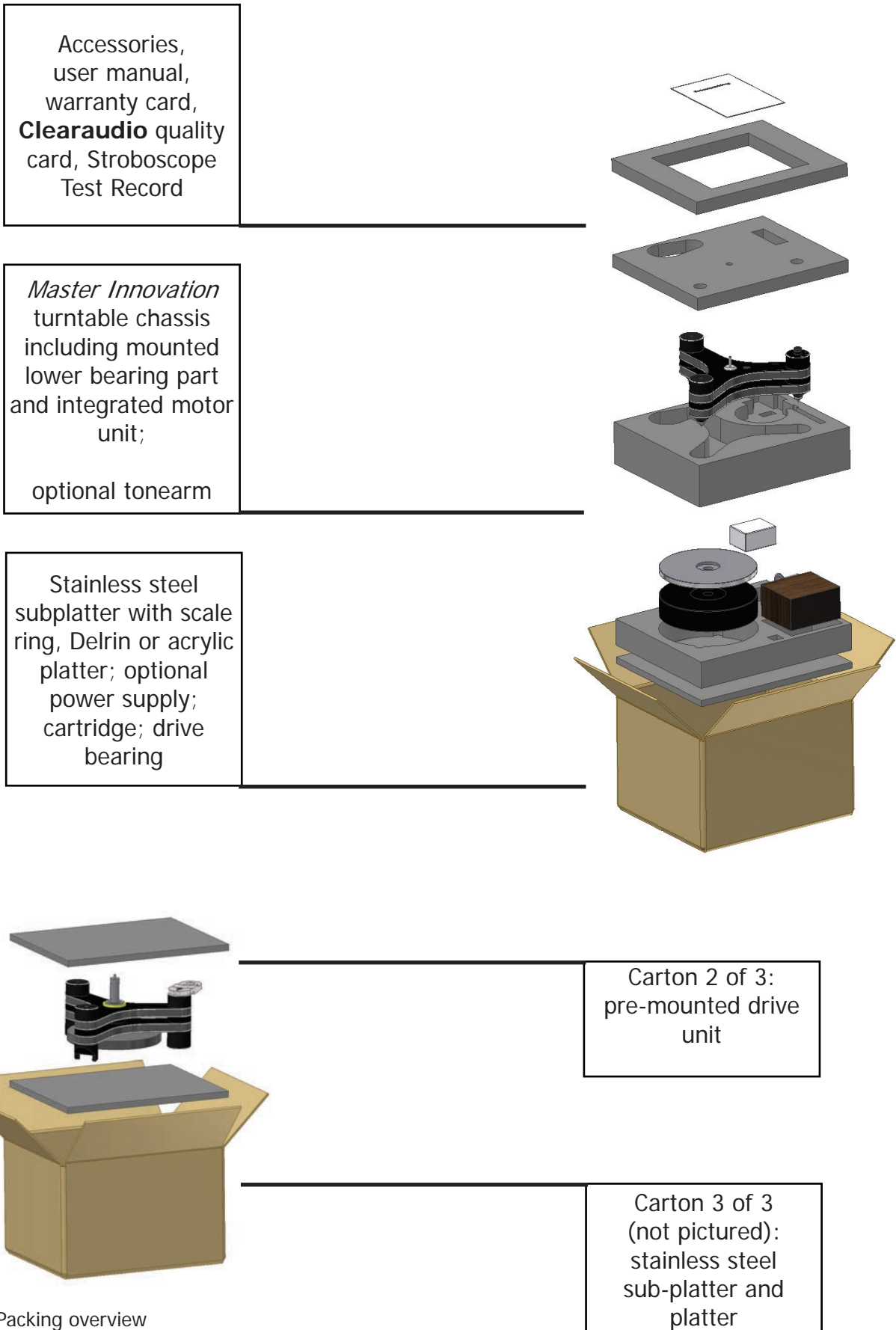
Your **Clearaudio** product has been prepared to comply with the household power and safety requirements that exist in your area. This product can be connected from 110V to 230V AC (50Hz and 60Hz).



Contents

1. Packing overview	4
2. List of components	5
3. Installation and setup	7
4. Fine adjustment of the motor	15
5. Special instructions	16
6. Technical data	17
Warranty information	18 - 19
Stroboscope test record user manual	20 - 21

1. Packing overview

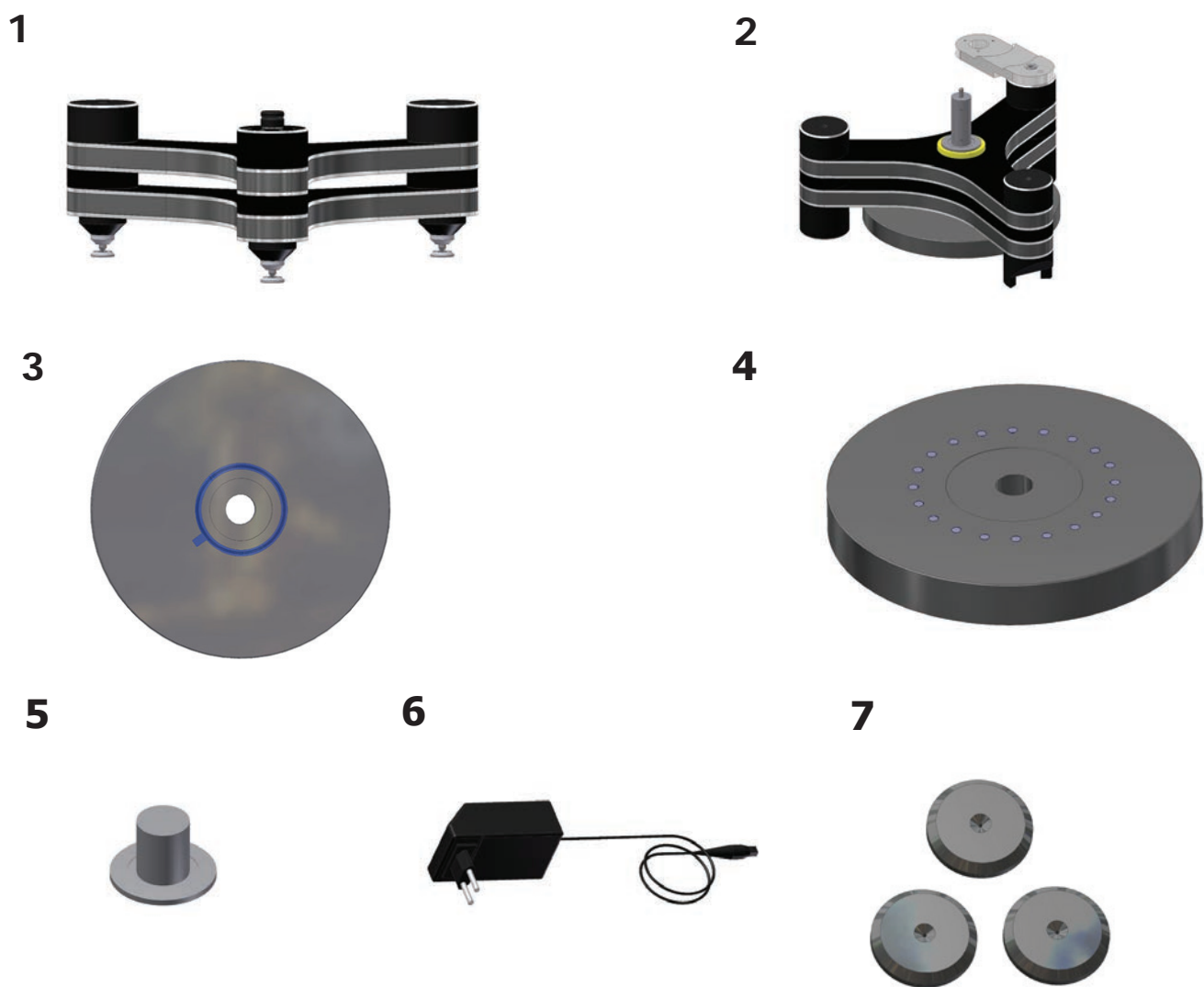


Pic. 1: Packing overview

2. List of components

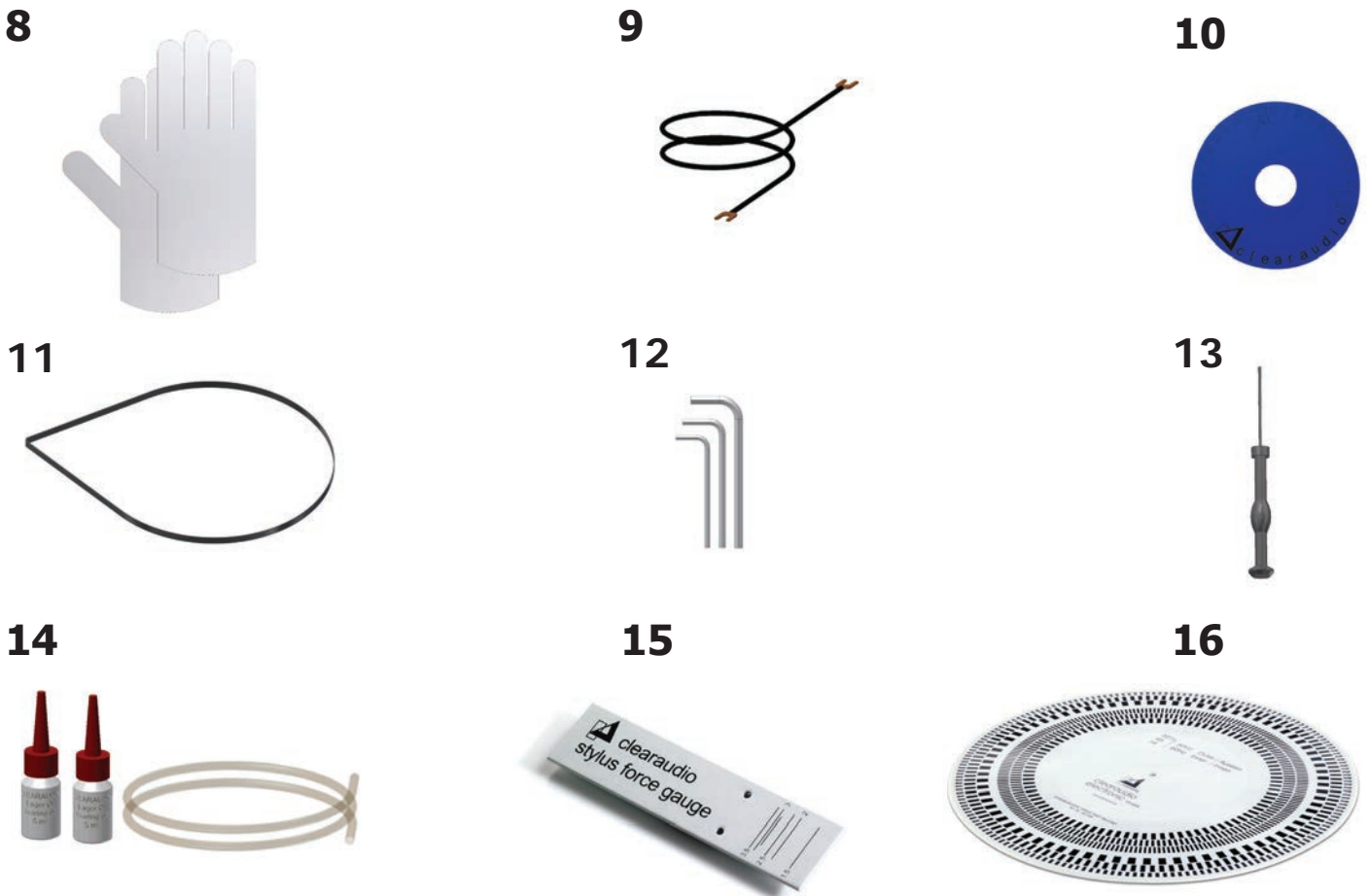
Clearaudio's special secure packaging for your *Master Innovation* turntable ensures safe transportation. Please keep this original packaging, in case you need to transport or ship the turntable at any point in the future.

Clearaudio *Master Innovation* components list:



Pic. 2: List of Components

1.	Drive unit	5.	Drive bearing with ceramic ball
2.	Top unit with pre-mounted tonearm base (carton 2 of 3)	6.	Power supply
3.	Stainless steel sub-platter	7.	3 x flat pads
4.	28mm Delrin or acrylic turntable platter		



Pic. 2.1: List of components

8.	1 pair of white gloves	14.	2x Bearing oil for occasional use
9.	Grounding wire (to connect to the underside of the bearing part)	15.	Clearaudio Smart Stylus Gauge
10.	Level gauge for turntable alignment	16.	Clearaudio Stroboscope Test Record (Art. No. AC038) to adjust the exact speed
11.	2 pcs. Flat belts	17.	Not shown: User manual, warranty card, Clearaudio quality certificate card, sales return paper
12.	4 hex keys; sizes: #2.5 / 3 / 7 / 8	18.	Not shown: stainless steel sub-platter and platter (carton 3 of 3)
13.	Screwdriver	19.	

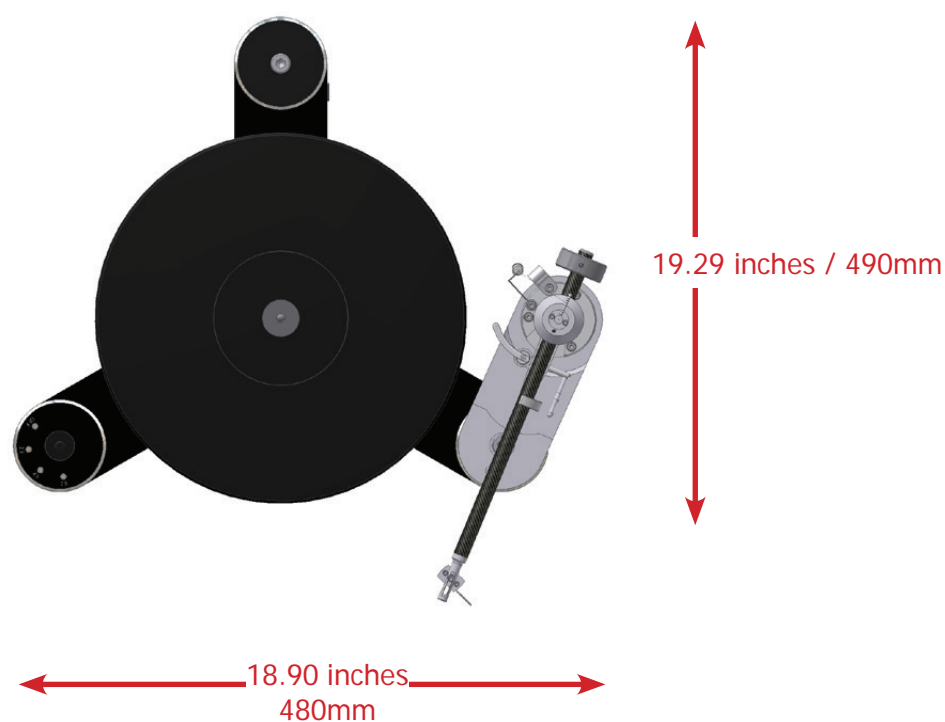
IMPORTANT NOTICE: Please double check the tightness of all bolts, hardware and mounting pods, as temperature fluctuations during transit may have caused the hardware to become loose.

3. Installation and setup

The setup of the *Master Innovation* turntable is easy as the turntable chassis is pre-assembled and has been tested at the factory.

Please use the white gloves enclosed in order to avoid scratches or unwanted fingerprints (platter).

The *Master Innovation* turntable requires a setup space of at least 18.90 x 19.29 inches.



Pic. 3: Required setup space

Carton 1 of 3:

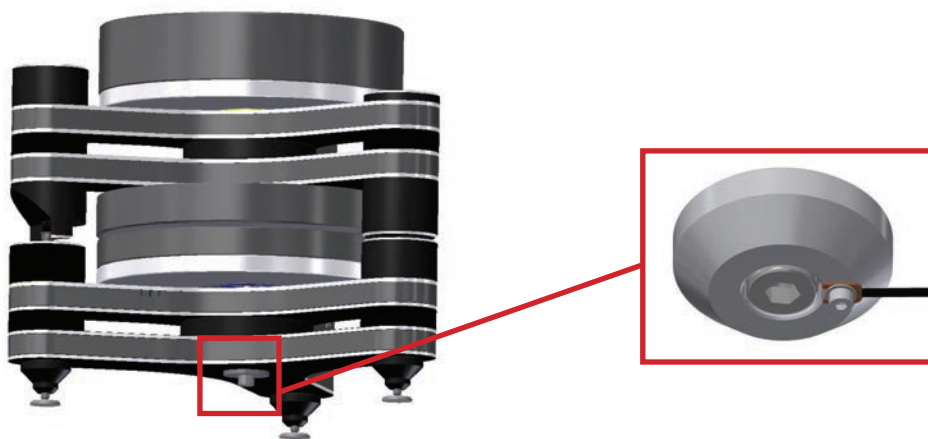
1.)
First, take out the three black flat pads from the accessory bag. Place these flat pads on your hi-fi rack or another suitable base, where the final position of your *Master Innovation* turntable will be.

2.)
Then take the *Master Innovation* turntable body (drive unit) from the next packaging layer and place the turntable's spikes onto the flat pads.



Pic. 4: *Master Innovation* drive unit

3.)
To avoid humming noises it may be necessary to ground the bearing. To do so, plug the ground cable provided into the hole in the bearing fixing bolt on the underside of the turntable.

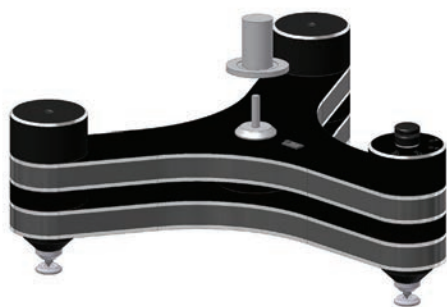
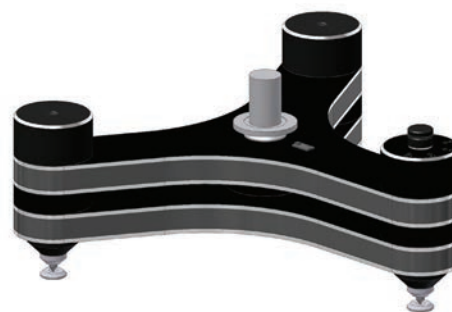


Pic. 5: Grounding the bearing

4.)
Remove the protective security tape from the bearing housing.

5.)

Take the drive bearing out of the box. Please remove the bearing protection film carefully and apply 2-3 drops of the bearing oil (provided, and also available at www.analogshop.de). Carefully place the bearing onto the bearing axis.

**Pic. 6:** Setup of the bearing**Pic. 7:** Setup of the bearing**6.)**

Remove the protection film from the sensor mounted on the turntable chassis.

Please do so extremely carefully to avoid introducing any dirt or scratches.

Carefully take the stainless steel platter out of the box, using both hands. Remove the protection film from the scale ring on the lower side of the turntable. The lower platter side with the scale ring must be face down when placing it on the bearing.

Again, please remove the lamination extremely carefully to avoid introducing any dirt or scratches.

**Pic. 8:** Montage of the sub-platter with the scale ring

7.)
Take the drive platter out of the box and remove the protective film. Using both hands, place the drive unit platter onto the bearing, so that the magnets are showing on the top. Please be very careful.



Pic. 9: Placing the drive unit platter onto the bearing

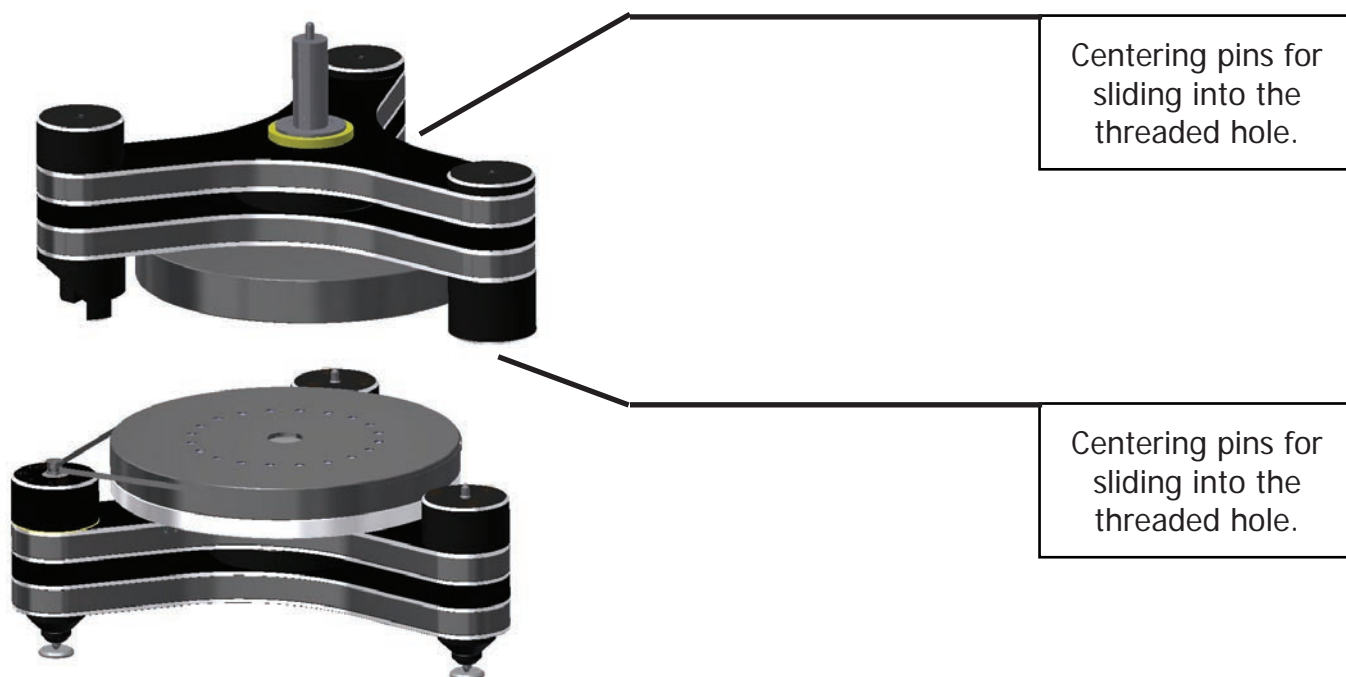
8.)
Place one of the two drive belts provided (the second is a spare) around the platter and around the motor pulley.



Pic. 10: Placement of the drive belt

9.) Carefully take the top unit from carton 2 of 3 and place it onto the drive unit. Make sure that the protective film of the top unit is still fixed between the platter and the chassis to avoid damage.

Please note that the centring pins will easily slide into the threaded hole without jamming.



Pic. 11: Placement of the top unit



Pic. 12: Top unit in place

10.)

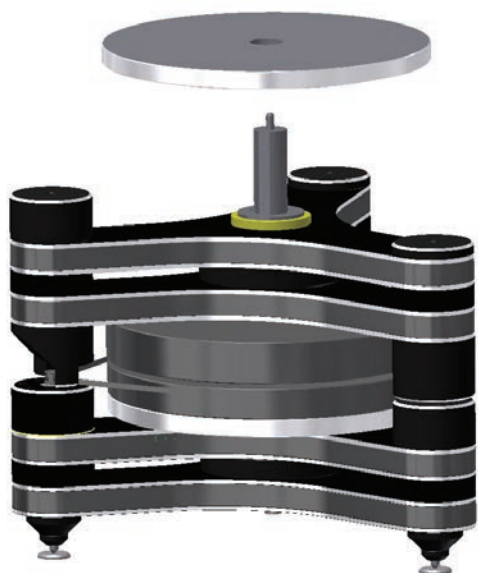
Take the stainless steel sub-platter from carton 3 and remove the protective packaging. Place the platter with the small deepening showing down carefully onto the upper part of the bearing. Make sure that the protective film is still fixed in place at this point.

Next, take the platter out of its box and set it carefully with the metal disc down onto the bearing. Now you can carefully remove the protective film.

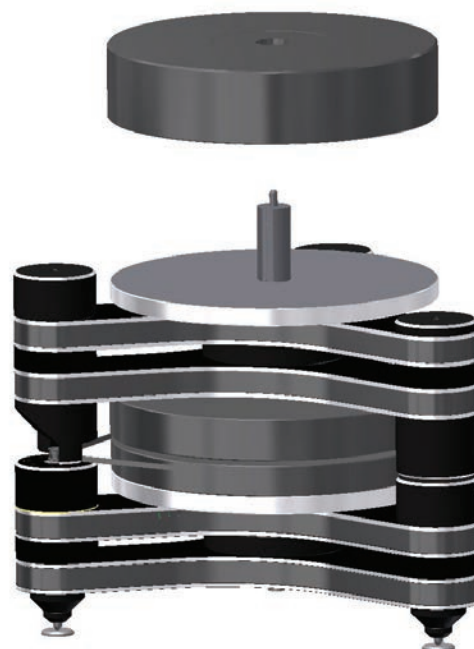
For this purpose press the platter slightly downwards.

To avoid any damage to your bearing, the platter should be at room temperature before beginning setup (approx. 20° Celsius).

Please avoid any sideways force to avoid any damage to the ceramic bearing.



Pic. 11a: Setting up the stainless steel platter



Pic. 11b: Setting up the platter



Pic. 12: Setup finished

You can find various turntable adjustment accessories at www.clearaudio.de or www.analogshop.de.

User manual

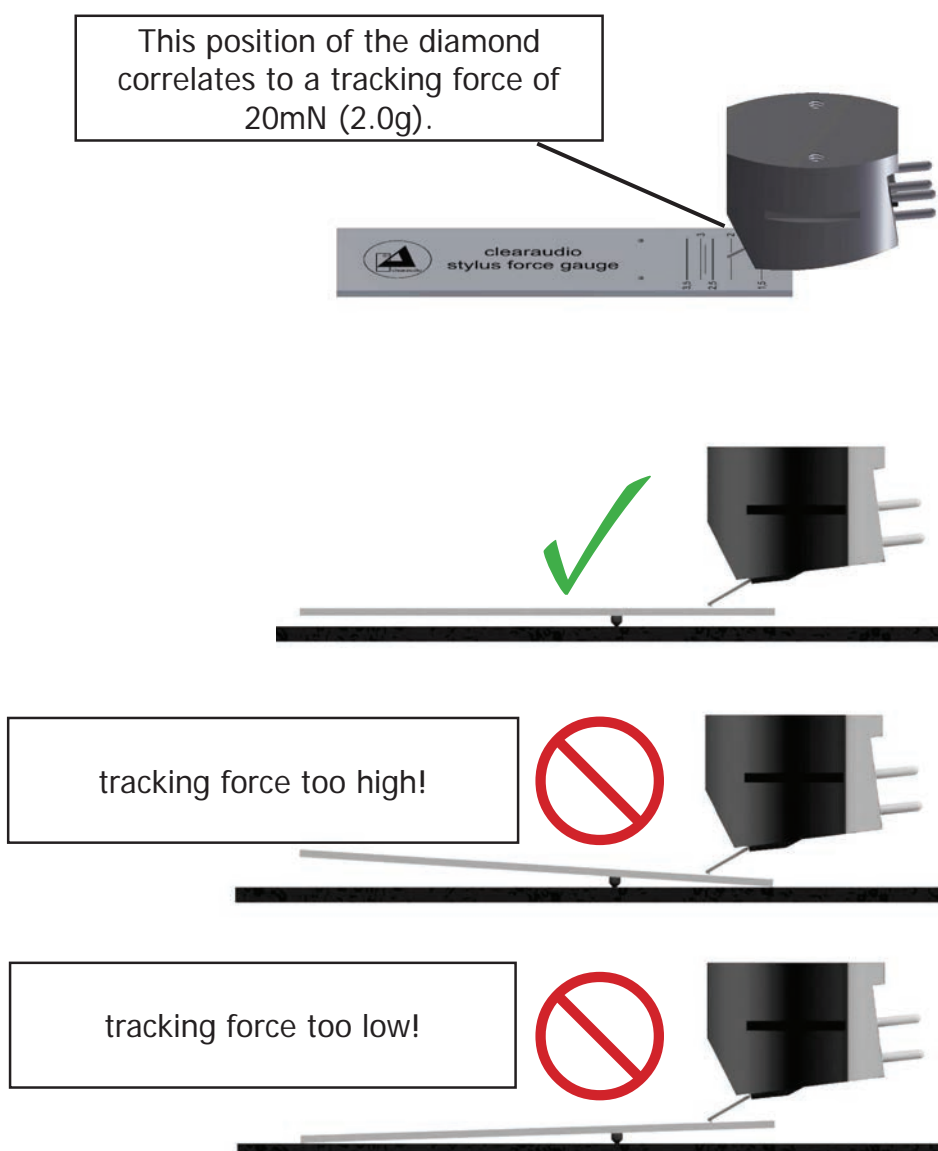
11.)

To install the tonearm, please see the relevant manufacturer's user manual for that tonearm.

12.)

To mount and adjust a cartridge, please follow the relevant manufacturer's user manual for that cartridge.

If you have purchased your **Clearaudio Master Innovation** turntable as a package with tonearm and cartridge, you will find a *Smart Level Gauge* in your accessories pack, which will help you to adjust the tracking force of the cartridge:



Pic. 13: Using the Smart Stylus Gauge

13.)

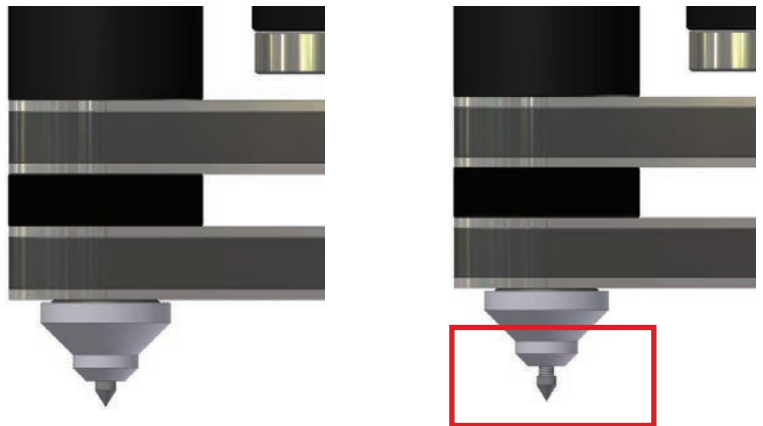
The following final adjustment is very important.

Please ensure that your turntable rack is in a level position.

Please use the level gauge provided to ensure that your *Master Innovation* turntable is in a level position. You can adjust each of the turntable's feet to level the turntable. You will only get the best results with your *Master Innovation* turntable if it is level.



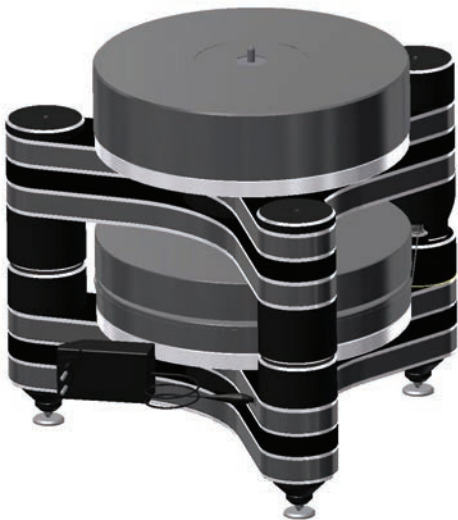
Pic. 14a: Alignment of the turntable



Pic. 14b: Adjustment of the turntable feet

14.)

Please connect the mains plug to your power supply.



Pic. 15: Connection of power supply and motor

15).

By pushing the sensor switch, marked with "33 1/3" on the motor, the turntable starts to spin until 33 1/3rpm is reached.

After the initial setup, we recommend a running in period to ensure the perfect performance.

To do this let the turntable spin at 33 1/3rpm for 15 to 30 minutes.

4. Fine adjustment of the motor

1.)

The *Master Innovation's* motor adjustment is already pre-set at the factory. However, some small speed deviations can occur during transportation or due to dirt or dust on the sensor or the sensor ring. Please check the speed before using the turntable for the first time.

To correctly adjust the speed, put the recommended **Clearaudio Stroboscope Test Record** onto the platter and refer to the instructions provided in the *Stroboscope Test Record* user manual.

To check the speed with highest accuracy, you may wish to use the **Clearaudio Speed Light** (Art. No.: AC039, available at www.analogshop.de).

On the right front side of your turntable there are three fine speed adjusters (see Picture 16 below).



- Left adjuster = setting 33 1/3rpm
(near turntable motor)

- Middle adjuster = setting 45rpm

- Right adjuster = setting 78rpm
(near turntable bearing)

Pic. 16: Fine adjustment of the motor

To adjust the turntable speed at 33 1/3 rpm, take the screwdriver provided and turn the left adjuster until you have reached the right speed according to the *Stroboscope test record* (see the relevant user manual).

- Turning the adjuster counter clockwise reduces the turntable speed.
- Turning the adjuster clockwise increases the turntable speed.

You can also adjust the turntable speed for 45rpm and 78rpm in the same way.

Please note:

If the turntable does not reach the correct speed, the sensor or the scale ring could be dirty or dusty. To clean the sensor, take off the two platters very carefully. Clean the sensor and the scale ring with a little isopropyl alcohol and a cotton bud. Be very careful to avoid scratching the sensor or the scale ring.

Should the motor still have speed variations, please contact **Clearaudio** directly or you're nearest authorized **Clearaudio** dealer.

Now you are ready to play your vinyl records.

We wish you a great deal of pleasure with your new *Master Innovation* turntable.

5. Special instructions

5.1 Maintenance

- If the *Master Innovation* turntable is to be unused for some time, please disconnect the motor from the main power supply.
- Every two years you can lubricate the bearing of the turntable platter and drive unit with the bearing oil provided; 1 or 2 drops will be enough. (To lubricate the bearing of the drive unit, the top unit and the drive platter must be removed.)
- If any damage to the power cord should occur, please ensure that this is repaired only by authorized personnel. Please note: A damaged power cord must be exchanged immediately.

Caution!

Please use only non-alcoholic fluids specifically intended for acrylic to clean the *Master Innovation* turntable.

Otherwise damage to the material or the surface can occur. Avoid using dry cloths for cleaning due to electrostatic charging. Suitable cleaning materials are available from **Clearaudio** (www.analogshop.de) or from your local hi-fi dealer.

5.2 Transportation

- For any required transportation of the *Master Innovation* turntable, please always remove the turntable platter and the upper part of the bearing. Otherwise serious damage may occur. To avoid any dust getting into the bearing, the bearing hole should be covered.
- Please ensure that you send the *Master Innovation* turntable always and only in its original packaging. Without the original packaging, **Clearaudio's** warranty will not be valid. When repackaging the turntable, please follow in reverse the steps indicated in this manual for installation and setup (from section 1).

5.3 Service

Any required servicing of **Clearaudio** products should be carried out by authorized personnel only. In the case of repairs, the *Master Innovation* turntable must be sent to your nearest authorized **Clearaudio** distributor or dealer, or directly to the **Clearaudio** factory:

Clearaudio electronic GmbH

Spardorfer Str. 150
91054 Erlangen
Germany

Tel.: +49 9131 40300 100

Fax: +49 9131 40300 119

www.clearaudio.de

www.analogshop.de

info@clearaudio.de



6. Technical data

Construction principle:	<ul style="list-style-type: none">• Resonance-optimised chassis shape• Made of bullet proof wood and aluminium with precision CNC machined surface.• All turntable feet are fine adjustable• Optical Speed Control (OSC)• Playback with three tonearms possible
Available speeds:	Electronic speed change, 33 1/3rpm, 45rpm, 78rpm
Drive unit:	<ul style="list-style-type: none">• High torque DC motor exclusively made for Clearaudio; Optical Speed Control (OSC) in real time through infrared sensor• Decoupled DC motor in chassis; resonance damping device; belt-driven• Magnetic decoupling of turntable and additional drive platter
Bearing:	<ul style="list-style-type: none">• Clearaudio patented ceramic magnetic bearing (CMB) in main platter / upper drive platter assembly• Inverted bearing in lower drive platter
Platter:	70mm (2.75 inches) main platter, made out of synthetic material with high density and excellent dimension stability, precision CNC machined surface, solid stainless steel sub-platter, dynamically balanced 15mm (4/5 inches) precision CNC machined dynamically balanced stainless steel sub-platter
Speed variation less than:	< ± 0.05%
Power consumption:	
Max. consumption:	9.5 watts
Consumption in operation:	4.1 watts
Off mode:	0.0 watts
Weight:	approx. 60kg (without tonearm and packing)
Dimension (w x d x h):	approx. 460 x 485 x 396mm approx. 18.11 x 19.09 x 15.59 inches
Warranty:	5 years*

* Provided that the warranty card is correctly completed and returned to **Clearaudio**, or your product is registered online at <https://clearaudio.de/en/service/registration.php>, within 14 days of purchase.

Clearaudio electronic is not responsible for typographical errors in descriptions.

Technical specifications subject to change or improvement without prior notice.

Product availability is as long as stock lasts.

Copies and reprints of this documents, including extracts, require written consent from

Clearaudio electronic GmbH; Germany

The full, extended warranty period for the *Master Innovation* turntable is 5 years.

To receive this full **Clearaudio** warranty, you must either complete and return the relevant section of the warranty registration card to **Clearaudio**, or register your product online at <https://clearaudio.de/en/service/registration.php>, within 14 days of purchase.

Otherwise only the legal warranty of 2 years can be considered.

The full 5 year warranty can only be honoured if the product is returned in its original packing.

ENGLISH WARRANTY

For warranty information, contact your local **Clearaudio** distributor.

RETAIN YOUR PURCHASE RECEIPT

Your purchase receipt is your permanent record of a valuable purchase. It should be kept in a safe place to be referred to as necessary for insurance purposes or when corresponding with **Clearaudio**.

IMPORTANT

When seeking warranty service, it is the responsibility of the consumer to establish proof and date of purchase.

Your purchase receipt or invoice is adequate for such proof.

FOR U.K. ONLY

This undertaking is in addition to a consumer's statutory rights and does not affect those rights in any way.

FRANÇAIS GARANTIE

Pour des informations sur la garantie, contacter le distributeur local **Clearaudio**.

CONSERVER L'ATTESTATION D'ACHAT

L'attestation d'achat est la preuve permanente d'un achat de valeur. La conserver en lieu sûr pour s'y reporter aux fins d'obtention d'une couverture d'assurance ou dans le cadre de correspondances avec **Clearaudio**.

IMPORTANT

Pour l'obtention d'un service couvert par la garantie, il incombe au client d'établir la preuve de l'achat et d'en corroborer la date. Le reçu ou la facture constituent des preuves suffisantes.

DEUTSCH GARANTIE

Bei Garantiefragen wenden Sie sich bitte zunächst an Ihren **Clearaudio** Händler. Heben Sie Ihren Kaufbeleg gut auf.

WICHTIG!

Die Angaben auf Ihrer Quittung erlauben uns die Identifizierung Ihres Gerätes und belegen mit dem Kaufdatum die Dauer Ihrer Garantie-Ansprüche. Für Serviceleistungen benötigen wir stets die Gerätenummer. Diese finden Sie auf dem Typenschild auf der Rückseite des Gerätes oder auch in der beigefügten Garantie-Registrierkarte.

NEDERLANDS GARANTIE

Voor inlichtingen omtrent garantie dient u zich tot uw plaatselijke **Clearaudio**.

UW KWITANTIE, KASSABON E.D. BEWAREN

Uw kwitantie, kassabon e.d. vormen uw bewijs van aankoop van een waardevol artikel en dienen op een veilige plaats bewaard te worden voor evt, verwijzing bijv, in verband met verzekering of bij correspondentie met **Clearaudio**.

BELANGRIJK

Bij een evt, beroep op de garantie is het de verantwoordelijkheid van de consument een gedateerd bewijs van aankoop te tonen. Uw kassabon of factuur zijn voldoende bewijs.



Loving music

User manual

ITALIANO **GARANZIA**

L'apparecchio è coperto da una garanzia di buon funzionamento della durata di un anno, o del periodo previsto dalla legge, a partire dalla data di acquisto comprovata da un documento attestante il nominativo del Rivenditore e la data di vendita. La garanzia sarà prestata con la sostituzione o la riparazione gratuita delle parti difettose. Non sono coperti da garanzia difetti derivanti da uso improprio, errata installazione, manutenzione effettuata da personale non autorizzato o, comunque, da circostanze che non possano riferirsi a difetti di funzionamento dell'apparecchio. Sono inoltre esclusi dalla garanzia gli interventi inerenti l'installazione e l'allacciamento agli impianti di alimentazione.

Gli apparecchi verranno riparati presso i nostri Centri di Assistenza Autorizzati. Le spese ed i rischi di trasporto sono a carico del cliente. La casa costruttrice declina ogni responsabilità per danni diretti o indiretti provocati dalla inosservanza delle prescrizioni di installazione, uso e manutenzione dettagliate nel presente manuale o per guasti dovuti ad uso continuato a fini professionali.

ESPAÑOL **GARANTIA**

Para obtener información acerca de la garantía póngase en contacto con su distribuidor **Clearaudio**.

GUARDE SU RECIBO DE COMPRA

Su recibo de compra es su prueba permanente de haber adquirido un aparato de valor, Este recibo deberá guardarlo en un lugar seguro y utilizarlo como referencia cuando tenga que hacer uso del seguro o se ponga en contacto con **Clearaudio**.

IMPORTANTE

Cuando solicite el servicio otorgado por la garantía el usuario tiene la responsabilidad de demostrar cuándo efectuó la compra. En este caso, su recibo de compra será la prueba apropiada.

Stroboscope Testrecord



The **Clearaudio Stroboscope test records** satisfies the highest demands for an exact speed adjustment for turntables.

Dramatic sound improvements can be reached only with exact calibrated speeds.

- Optimal adjustment for turntables -

To adjust the exact speed, please choose the side for 50 / 60Hz, or the other side for the use with the speed light first.



If you choose the side without the speed light source, you can use the regular light source for the installation, either 50Hz (outer scales) or 60Hz.

The scales are graduated in three different reading options: 33.3, 45 and 78rpm (starting from the outer diameter).

Please place the stroboscope disc on your turntable platter and start the engine of your turntable. The big advantage of the **Clearaudio** strobe disc is, that you can place your cartridge onto the strobe record, while measuring the speed, as there are grooves provided on the disc. This means, for the first time a real time speed analysis is possible under realistic circumstances.

If you have the impression that the horizontal lines move on the scale, you should set or readjust the speed of the motor again.

- If the lines move clockwise, the speed is too fast.
- If the lines move counter clockwise, the motor speed is too slow.

Please correct the speed on your motor or turntable until you have the impression that the lines stopped moving. After that you have reached the exact speed, you can enjoy the full potential of your vinyl collection again.



If you use the Speed Light (AC039) you can reach an even higher or more accurate adjustment, completely independent of the power line or frequency of your country.

As well, the 300 Hz calibrated light, used as an external light source is completely independent from possible power line fluctuations, which could influence the result by regular light. The 300Hz of the *Speed Light* are generated by a stabilized quartz oscillator and permit a very exact adjustment.

Please put the *Stroboscope Testrecord* with the fine lines upward on your turntable.

Here you also have the possibility to choose between three different speeds.

With the outside scale you can detect the speed of 33.3rpm, with the middle scale 45rpm and with the inside scale you can detect the speed of 78rpm. Again, the big advantage of the **Clearaudio** strobe disc is, that you can place your cartridge onto the strobe record, while measuring the speed, as there are grooves provided on the disc. This means, for the first time a real time speed analysis is possible under realistic circumstances.

Press the button of the speed light source and place it parallel over to the scale and adjust the motor or turntable speed until the horizontal lines do not move anymore.

- Tip -

As more accurate your turntable speed is adjusted, as better the overall sonic appearance of the record playback will be!

It is mandatory to check the speed several times through out the year, to ensure that other influences are not minimizing the sound quality.

Please enjoy your vinyl records now even more !

Yours **Clearaudio** team

Loving music

Technical Data:

Speed Light

Light source: blue LED / 300Hz precision light source (calibrated)

Battery: V 23GA – 12V – Alkaline

(Technical changes are subject without notification)

Date: 2019-03

Clearaudio electronic GmbH

Spardorfer Str. 150

91054 Erlangen

Germany

Tel: +49 9131 40300 100

Fax: +49 9131 40300 119

www.clearaudio.de

www.analogshop.de

info@clearaudio.de





Loving music

clearaudio electronic GmbH

Spardorfer Straße 150

91054 Erlangen

Germany

Phone/Tel.: +49 9131 40300 100

Fax: +49 9131 40300 119

www.clearaudio.de

www.analogshop.de

info@clearaudio.de

Handmade in Germany

(Technical specification are subject to change without prior notification)

2019